

TCORX
PROFESSIONAL LINE

INSTRUCTION



BRXR 9000



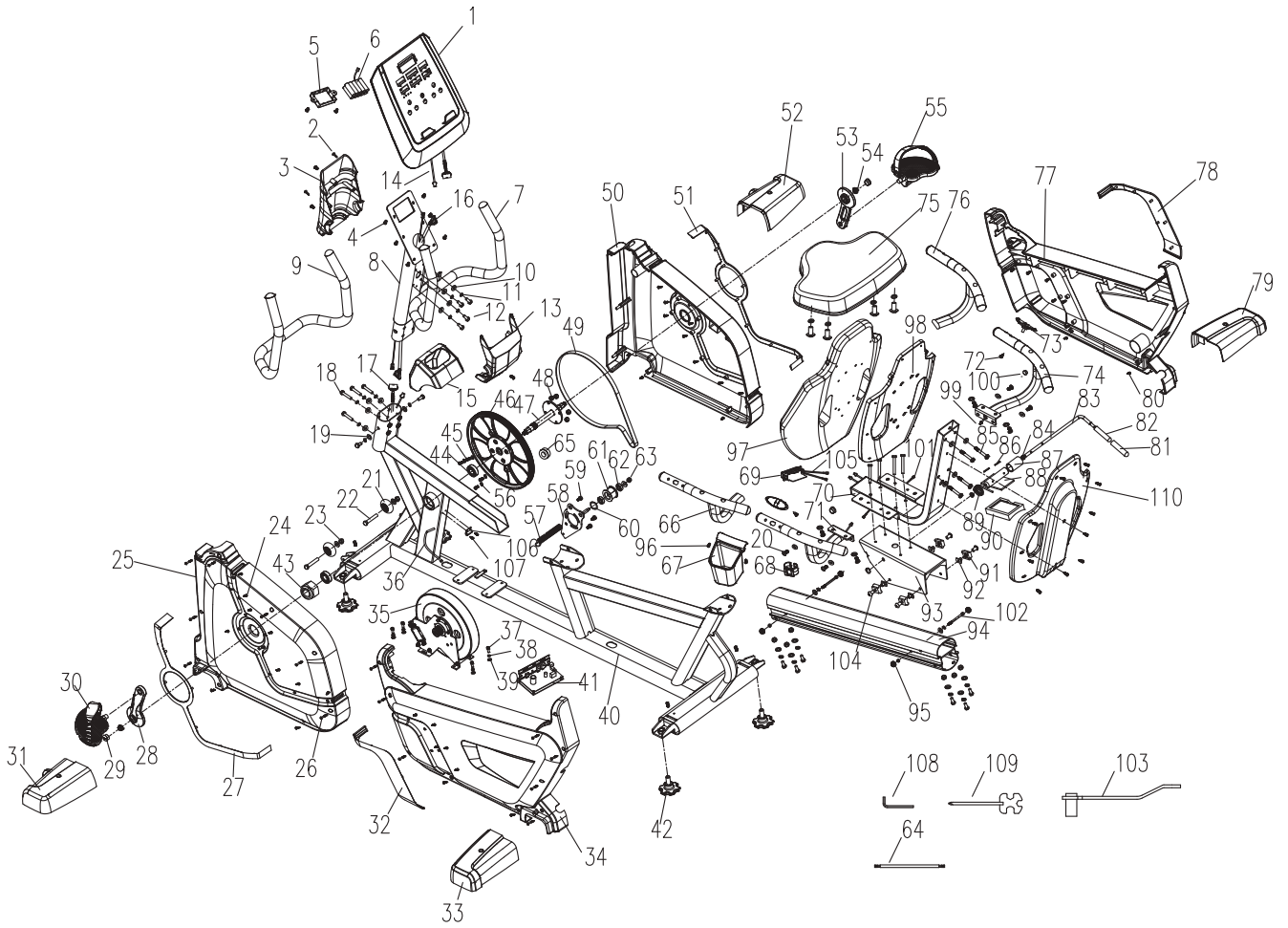
Cod : GRLDTCORXBRXR9000

Rev : 00

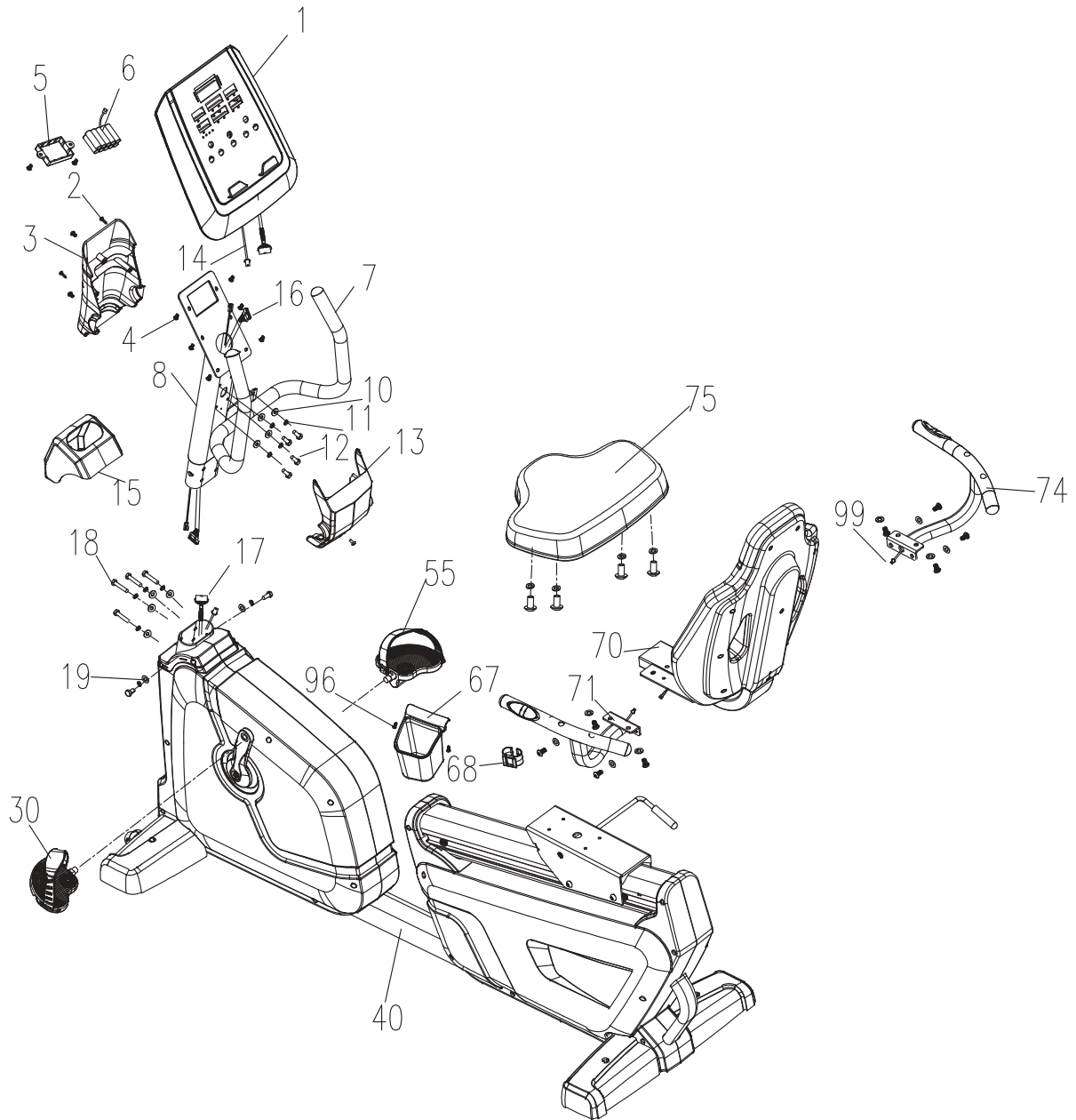
Ed : 04/18



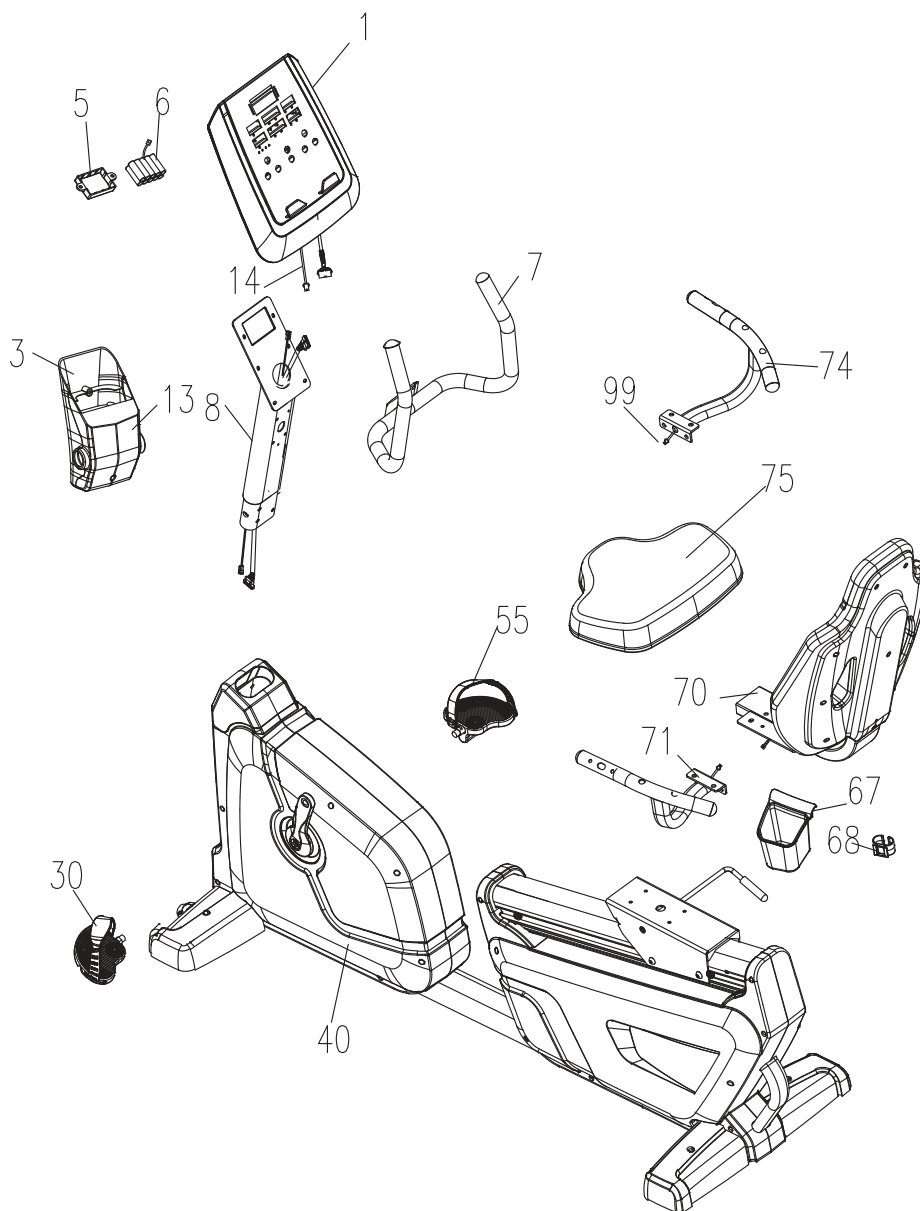
Big explosive view



Small explosive view

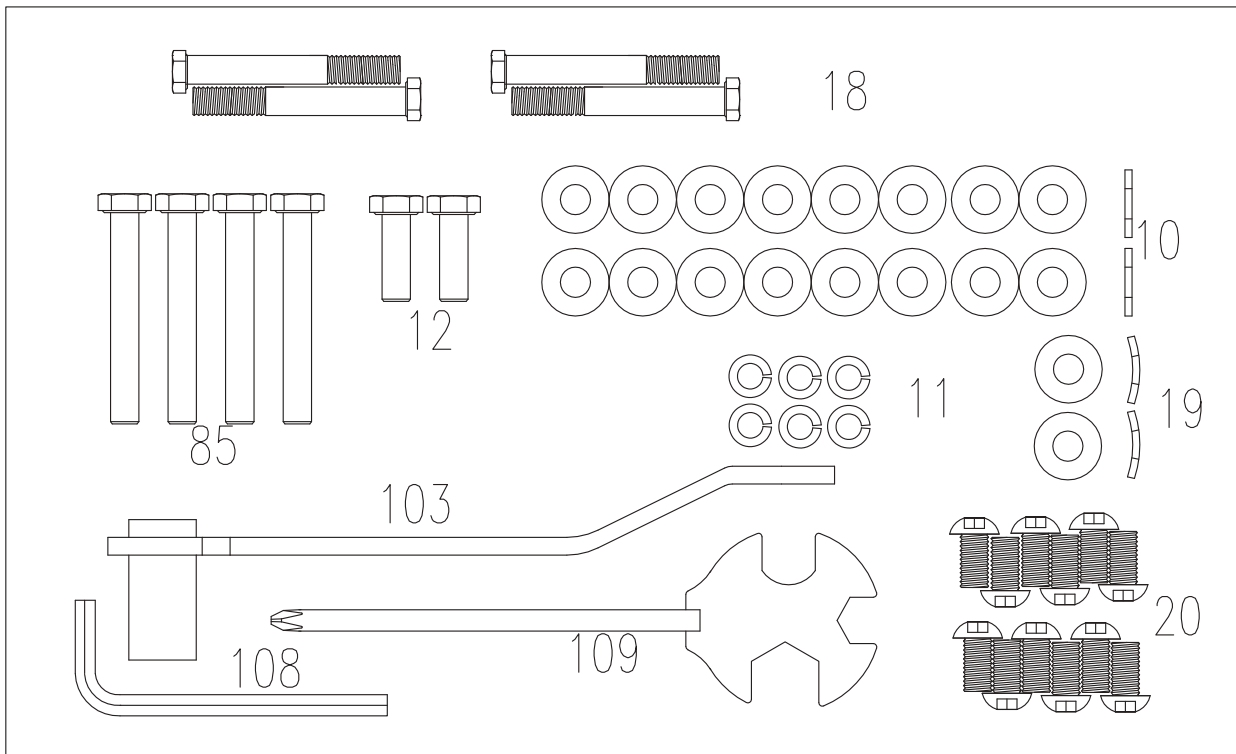


Assemble parts



Part No.	Description	Q'ty	Part No.	Description	Q'ty
1	Computer	1	7	Handlebar	1
3-13	Computer tray	1	71	Handle-L	1
8	Handle tube	1	74	Handle-R	1
30	Pedal-L	1	70	Back	1
55	Pedal-R	1	75	Seat	1
67	Bottle cage	1	5	Battery cover	1
68	Permanent seat	1	6	Battery	1
40	Frame	1			

TOOL



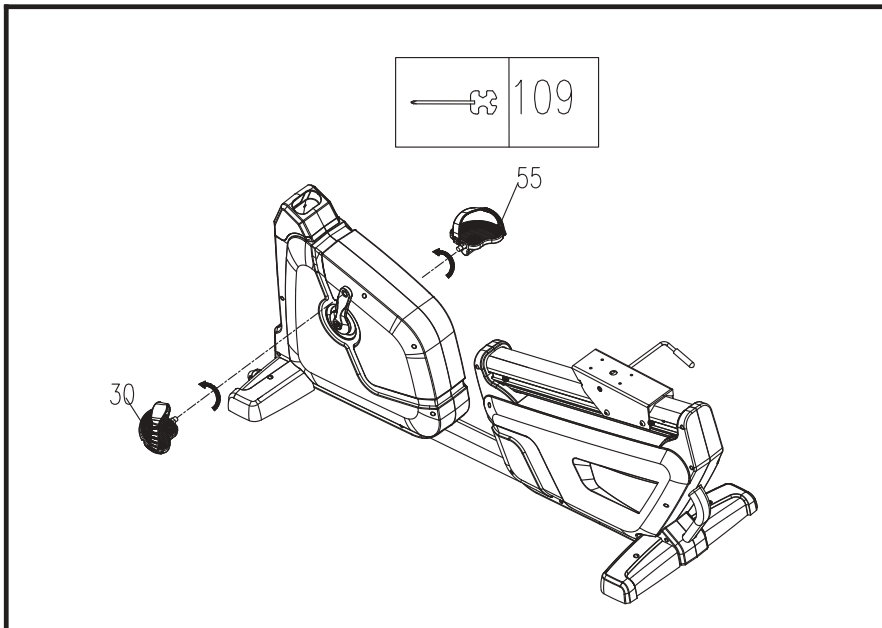
Part No.	Description	Q'ty
12	Screw M8*25	2
18	Screw M8*60*S15	4
20	Screw M8*20	12
85	Screw M8*50	4
19	Semi-circle washer $\Phi 8*\Phi 19*2T$	2
11	Spring washer $\Phi 8*\Phi 13.5*2.5T$	6
10	Flat washer $\Phi 8*\Phi 19*2T$	16
103	VE730 wrench	1
109	Harpoon wrench	1
108	Hex wrench	1

STAND TOOLS

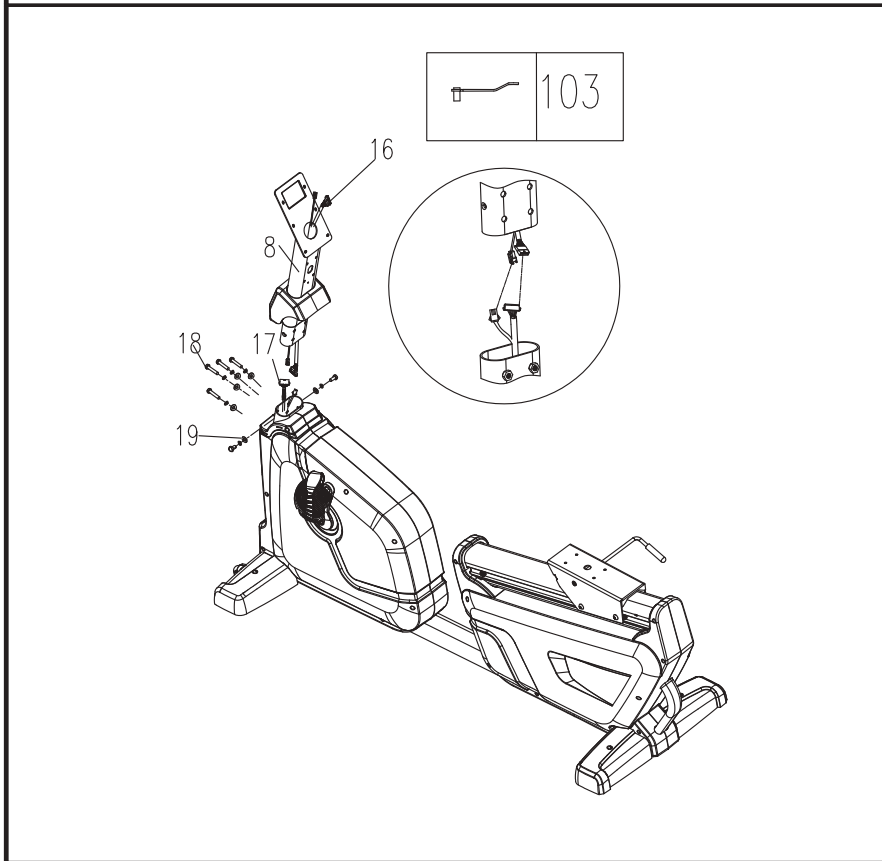
NO	Description	Material	SPEC.	Q'ty	NO	Description	Material	SPEC.	Q'ty
1	Computer			1	56	Spring washer		φ 6.1	4
2	Screw		ST3.5*16	4	57	Idle spring			1
3	Computer tray			1	58	Idle pole			1
4	Screw		M5*10	13	59	Screw		φ6.2*15L	3
5	Battery cover			1	60	Wave washer		φ 10.2*φ13*0.3T	1
6	Battery			1	61	Idle wheel		φ 44.5*29L	1
7	Handlebar			1	62	6000 bearing			2
8	Handle tube			1	63	Nylon nut		M8*7	1
9	Handlebar			1	64	Cable			1
10	Flat washer		φ8*φ19*2T	34	65	Magnet		φ 15*2	1
11	Spring washer		φ 8	20	66	Flooding plastic			1
12	Screw		M8*25L	12	67	Bottle cage			1
13	Computer tray			1	68	Permanent seat			1
14	Cable			1	69	End cap			1
15	Cover of handle tube			1	70	Back			1
16	CABLE			1	71	Handle-L			1
17	CABLE			1	72	Screw		ST3.5*25	2
18	Screw		M8*P1.25*60L	4	73	Handle pulse			2
19	Semi-circle washer		φ8*φ19*2T	2	74	Handle-R			1
20	Screw		M8*20	12	75	Seat			1
21	Transportation wheel			2	76	Flooding plastic			1
22	Screw		M8*40	2	77	Cover			1
23	Nylon nut		M8*7	11	78	Cover			1
24	Screw		ST2.9*10	30	79	Cover			1
25	Cover			1	80	Screw		3/16**3/4"	14
26	Screw		ST3.9*50L	11	81	hand shank		φ14*75L,	1
27	Trim strip			1	82	adjusting rod		φ 9.5	1
28	L-leg			1	83	Connecting hand shank		φ15*75L(M8)	1
29	Leg cover			2	84	axle sleeve			2
30	Pedal-L			1	85	Screw		M8*P1.25*50L*S20	8
31	Cover			1	86	Elastic cylindrical pin		φ 3*28L	2
32	Trim strip			1	87	Eccentric shaft		φ25.4*98.9L	1
33	Cover			1	88	Pressing plate			1
34	Cover			1	89	Spring			1
35	Flywheel			1	90	Friction plate			1
36	Sensor bar			1	91	Sliding block			4
37	Screw		M6*15	4	92	Nut			4
38	Spring washer		φ 6.1	4	93	Seat			1
39	Flat washer		φ6.5*φ16*2T	4	94	Aluminum track		852L,6063 T5,	1
40	Frame			1	95	Nut stopper			4
41	Control board			1	96	Screw		ST3.9*12L	7
42	End cap			4	97	Foaming			1
43	Nylon nut		M20*10	1	98	Support board			1
44	6004 bearing			2	99	Cable			2
45	Screw		M6*20L	4	100	Stopper			2

46	Belt pulley		φ 300*8 沟	1	101	Cable			1
47	Axis		φ 20*212L	1	102	Screw			2
48	Nylon nut		M6*5.5T	4	103	VE730 wrench			1
49	Belt		430J8	1	104	Screw		M8*20	4
50	Cover			1	105	Board			1
51	Cover			1	106	Payment seat			1
52	Cover			1	107	Triangle mechanical tooth			2
53	R-leg			1	108	Hex wrench			1
54	Nut		M10	2	109	Harpoon wrench			1
55	Pedal-R			1	110	Back			1

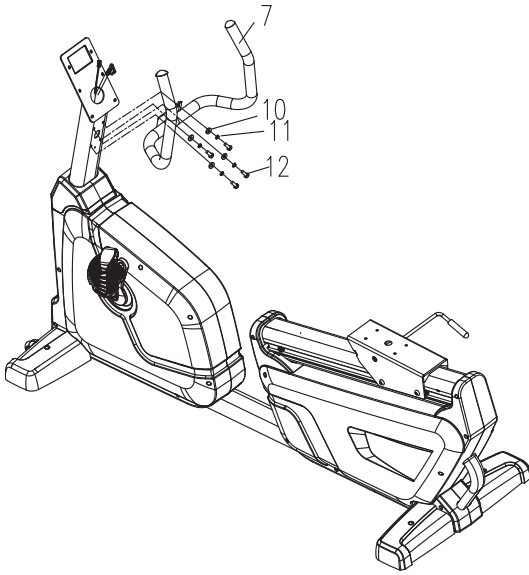
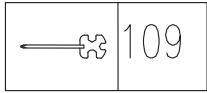
ASSEMBLY INSTRUCTION



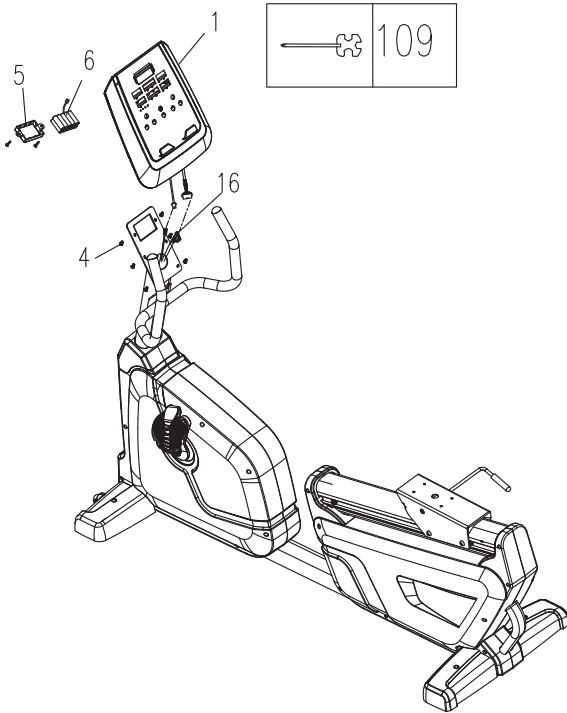
STEP 1



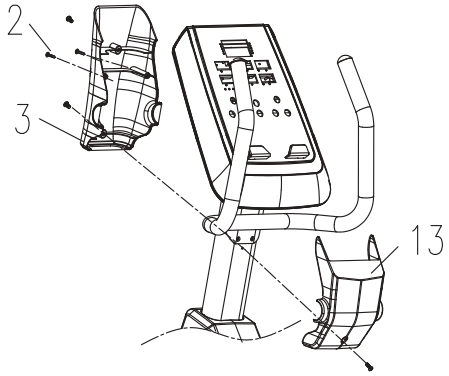
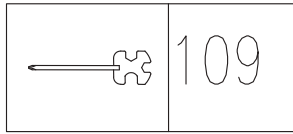
STEP 2



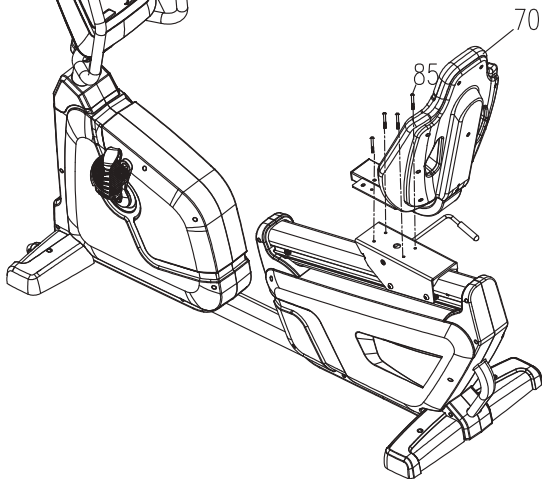
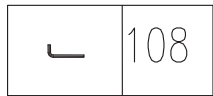
STEP 3



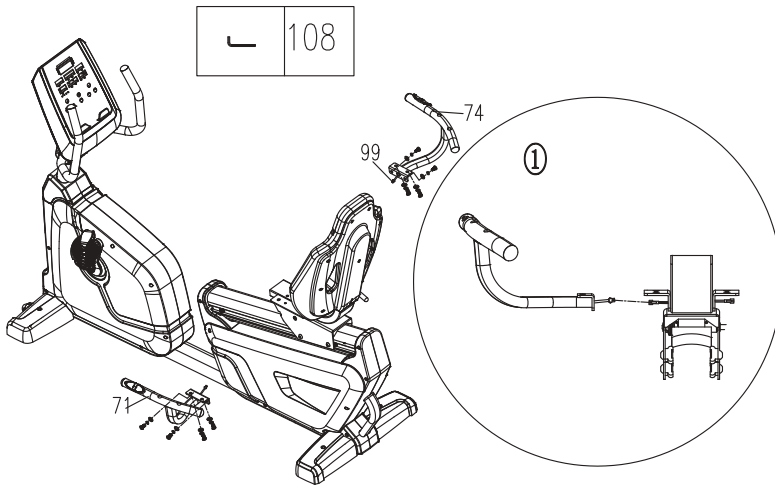
STEP 4



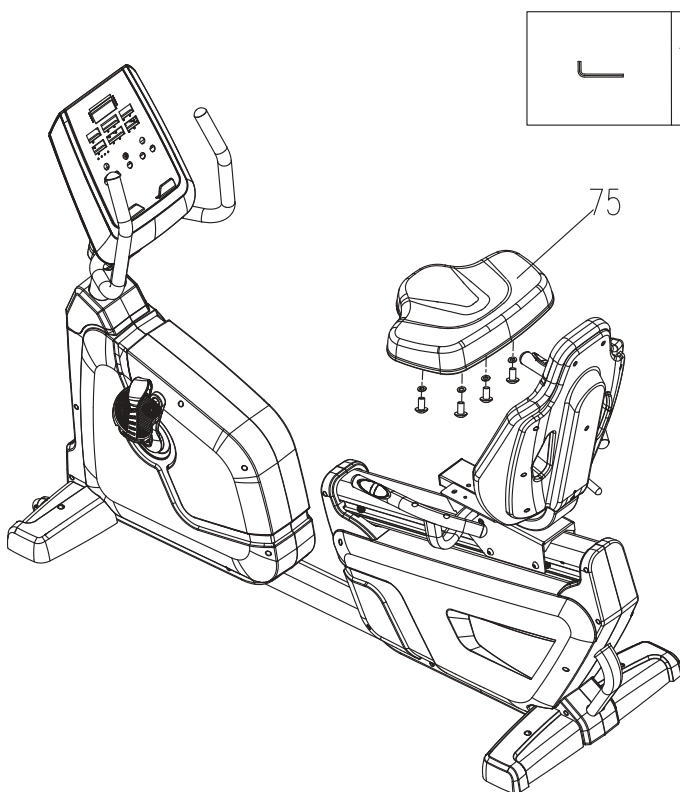
STEP 5



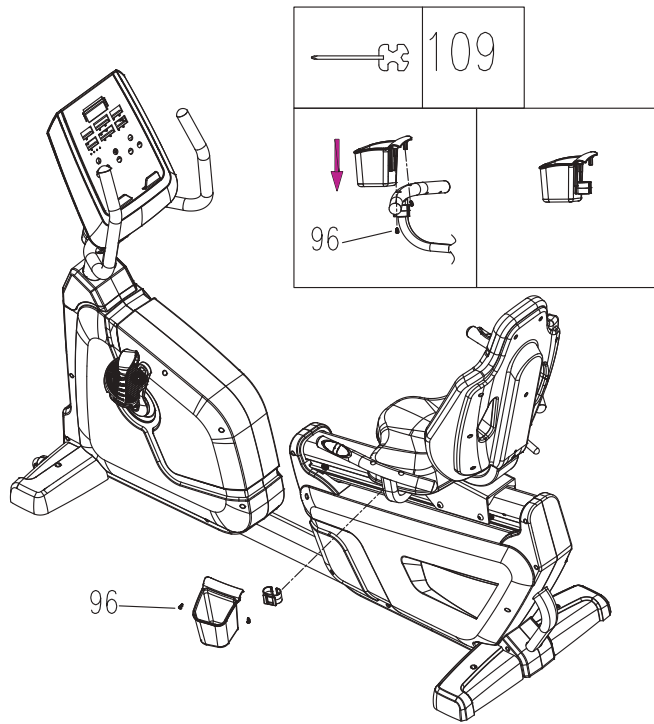
STEP 6



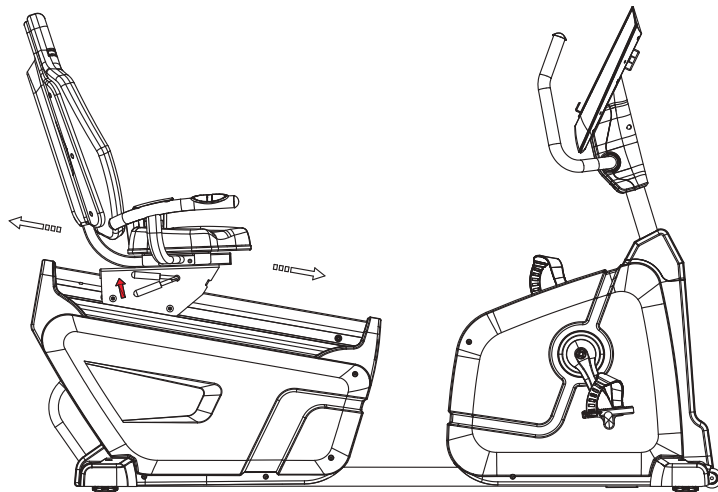
STEP 7



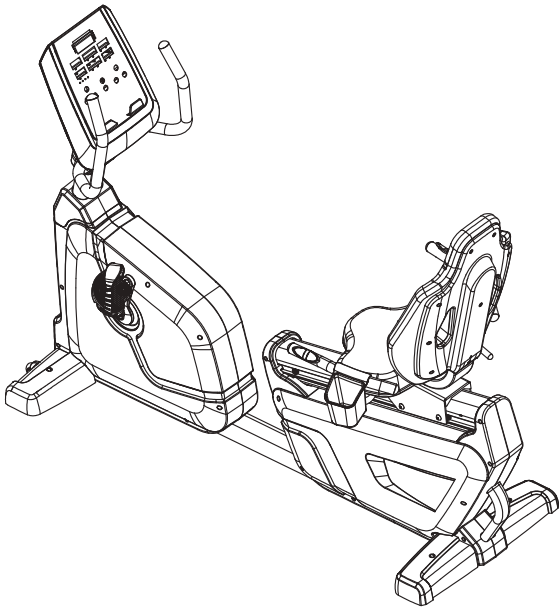
STEP 8



STEP 9



STEP 10



STEP 11

EXERCISE COMPUTER MANUAL

Function

TIME: 0:00~99:00, can be preset countdown
DISTANCE: 0.00~99.50km, can be preset countdown distance
CALORIES: 0~990, can be preset countdown calories
PULSE: P-40~220, can be preset maximum heart rate
WATT: 20~300, can be preset power values
MANUAL: 1~32 level
PROGRAM: P1~P12
H.R.C: 55%、75%、90%、IND (TARGET)
USER DATA: U0 ~U4
◆GENDER: FEMALE / MALE
◆AGE: 10-25-99
◆HEIGHT: 100-1670-200 (CM)
◆WEIGHT: 20-50-150 (KG)



Operation For heart rate recovery rate, test activists on movement after a period of time, press the button for 1 minute, when the time arrives, electronic watch rating points campaigner F1 - F6 physical state

1. Turn on the juice after electronic watch into the boot mode: buzzer beep a 1 second long sound, at the same time dot matrix display KM, 1 seconds into U0 model window
2. Digital display U0 can press "+"/" - "button to choose U0 ~ U4, selected according to the input/ENTER key to confirm, then set gender, age, height, weight of personal data, press the "input/ENTER" key to confirm.
3. If you choose the manual function, press the "input/ENTER" key confirmation, then press the " + "/" - "key set all the functions such as setting (such as time/distance/heat/heart rate), press" begin/START "which began to exercise, sports can press" + "/" - "key to adjust the set value.
4. If you choose other functions (such as application/power/set/heart rate, etc.), press the "RESET/RESET" key, press the "+"/" - "key choice function (such as application/power/set/heart rate, etc.).Chosen according to the input/ENTER key after confirmation, and then press the "+"/" - "key set all the functions such as setting (such as time/distance/Heart rate), press the "START/START" key which began to exercise, the movement can press "+"/" - "key to adjust the set value.

Operational approach

Heart induction: users holding device in hand 5 seconds will display the user's heartbeat.

General pattern: activists can operation buttons to set time/distance/heat/heart rate to achieve self-movement schedule, each function set according to the values fall to zero. Without setting directly trample the sports equipment, various functions on the numerical number accumulated.

Automatic shutdown: in the boot state is as long as no operating any button, and no signal input, electronic watch will automatically shut down the power supply in 4 minutes into sleep according to temperature, Press any key one or have a motion signal input can be restored to normal state.

Key Description

START : Let the computer run
RECOVERY : For heart rate recovery rate, test activists on movement after a period of time, press the button for 1 minute, when the time arrives, electronic watch rating points campaigner F1 - F6 physical state
+ : Increase the function of numerical (time/distance/heat/heart rate, etc.)
- : reduce the function of numerical (time/distance/heat/heart rate, etc.)
RESET : The original various numerical zero, reset the values
ENTER : To choose time/distance/heat/level/switch button and confirm the keys, such as heart rate function

Heart rate response when the heart rate detection, please press the "restore/RECOVERY" key Reply can begin to detect the heart function.

If the test of time from 1 minute countdown to 0:00, heartbeat symbol will continue to blink until to 0. Please tight handshake grip to detect 1 minutes heartbeat, maintain its heartbeat symbol flashing and detection, time to return 0, electronic watch interpretation reply user heartbeat F1 ~ F6 level.

Heart rate response series	The user reply heart conditions	The heartbeat detection gap (Before and after the test)
F1	Excellent	average deviation 50
F2	Very good	40-49
F3	Normal	30-39
F4	Fair	20-29
F5	Need to strengthen sports	10-19
F6	Exercise insufficiency	Less than 10

Heart rate control mode

This function as a user heartbeat value control practice the exercises of resistance, basically in accordance with the required movement purpose and has the following four kinds of state:

- i.55% -- Dieting effect program
- ii.75% -- Health effect program
- iii.90% -- Sports effect program
- iv.Target heart rate -- Self training heart rate value

REMARK

1. Please avoid to place the computer in humid place.



GARLANDO SPA
Via Regione Piemonte, 32 - Zona Industriale D1
15068 - Pozzolo Formigaro (AL) - Italy
contact@toorxprofessional.it
www.toorxprofessional.it